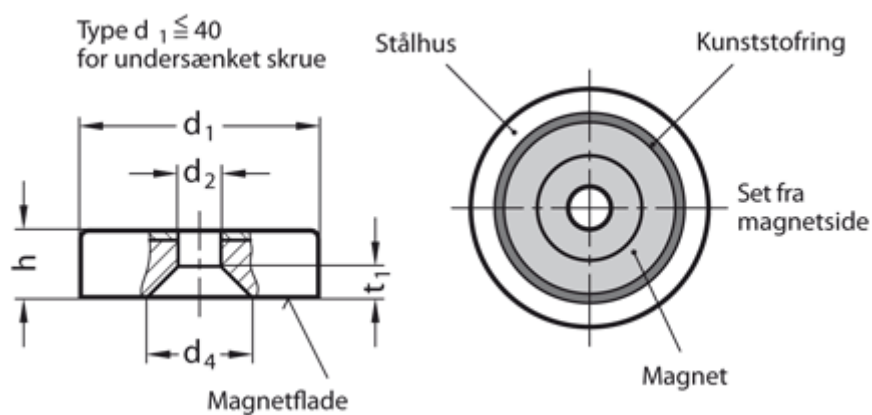


Article number: 201226016

Description: E+G Magnets with bore GN 50.4-HF-16-4,5-3,5  
Hard ferrite - 200° C, 14N

## Measures



d1	= 16 ±0,1
d2	= 3.5
d4	= 6.5
h	= 4,5 +0,2/-0,1
Holding force N	= 14
Material	= HF hard ferrite - 200°.C
t	= 1.5